

**OCXO (Oven Controlled Crystal Oscillators) +5.0V; +12V**  
**OC11T Series HCMOS Square Wave**



**MERCURY**  
Since 1973

Mercury OC11T is 25.4x25.4 mm (1 inch square) 5 pin solder sealed metal package with 19.0x19.0 mm pin-to-pin spacing high stability low aging OCXO. Besides standard AT cut crystal, users can also choose SC cut crystal for better performance. 50 ohm load sine wave output is available as OC11E series..



**General Specifications** ( 10 MHz at +25°C, at specified Vcc and +2.5 V Vcon)

<b>Output Wave Form</b>		HCMOS square wave. Wave form code is "T"					
<b>Frequency Range</b>		1.25 MHz ~100.0 MHz					
<b>Type of Crystal Cut Used</b>		AT-cut. Use "A" for crystal code or SC-cut: use "S" for crystal code. SC has better performance but higher cost. See technical note TN-031.					
<b>Supply Voltage (Vcc)</b>		+5.0 V <sub>D.C</sub> ±5% (voltage code is "5"); +12.0 V <sub>D.C</sub> ±5% (voltage code is "12")					
<b>Initial Calibration Tolerance</b>		±0.5 ppm max. at time of shipment; Vcon = +2.5V, at +25°C					
<b>Frequency Stability vs</b>	<b>Operating Temperature Range (custom spec. on request)</b>	Best Stability	0°C to +60°C	-20°C to +70°C	-40°C to +85°C		
		For AT crystal	±0.05 ppm	±0.1 ppm	±0.2 ppm		
		For SC crystal	±0.01 ppm	±0.02 ppm	±0.03 ppm		
	<b>Aging</b> (after 72 hours of continuous operation)	AT: ±3 ppb max./day; ±0.5 ppm max./first year; ±3 ppm max. over 10 years. SC: ±2 ppb max./day; ±0.1 ppm max./first year; ±0.5 ppm max. over 10 years.					
	<b>Supply Voltage ±5% Variation</b>	±20 ppb max.					
	<b>Load ±5% variation</b>	±20 ppb max.					
<b>Warm-up time (at +25°C)</b>		AT: 3 minutes max. Within ±0.5 ppm of its reference frequency. SC: 1 minute max. Within ±0.1 ppm of its reference frequency.					
<b>Voltage Control on pin 1 (EFC) (Electronics Frequency Tuning)</b>	<b>Freq. Deviation Range</b>	AT: ±5 ppm min. ±20 ppm max.; SC: ±0.5 ppm min, ±2 ppm max.		Referenced to fo at +25°C and over operating temperature range.			
	<b>Control Voltage Range</b>	2.5 V ± 2.0 V					
	<b>Transfer Function</b>	Positive: Increasing control voltage increases output frequency.					
	<b>Input Impedance</b>	100 K ohms min.	<b>EFC Linearity</b>	±10% max.			
<b>Power</b>	<b>Power Dissipation (at +25°C)</b>	1 Watt max. at steady-state; 3 Watts max. at turn-on.					
<b>Output</b>	<b>Load (Fan out)</b>	15 pF HCMOS max.	<b>Duty Cycle (measured at 50%Vcc)</b>	50% ± 10%			
	<b>Output Voltage Logic High (V<sub>OH</sub>)</b>	+4.5 V min.					
	<b>Output Voltage Logic Low (V<sub>OL</sub>)</b>	+0.5 max.					
	<b>Rise and Fall Time</b>	5 nS max. (measured at 20% ⇌ 80% of waveform)					
	<b>Reference Voltage Output</b>	+4.0 V <sub>D.C</sub> ±0.3 V <sub>D.C</sub> . or custom.					
	<b>Phase Noise</b>	<b>Offset</b>	1 Hz	10 Hz	100 Hz	1 KHz	10 KHz
		<b>10 MHz AT-cut XTAL</b>	-75 dBc	-100 dBc	-130 dBc	-140 dBc	-150 dBc
<b>10 MHz SC-cut XTAL</b>		-80 dBc	-120 dBc	-140 dBc	-145 dBc	-150 dBc	
<b>Storage Temperature</b>		-55°C to +125°C					
<b>Shock</b>		2000 G's, 0.3 ms ½ sine					
<b>Vibration</b>		10 to 2000 Hz / 10 G's					

**MERCURY** [www.mercury-crystal.com](http://www.mercury-crystal.com)

Taiwan: TEL (886)-2-2406-2779, FAX (886)-2-2496-0769, e-mail: sales-tw@mercury-crystal.com

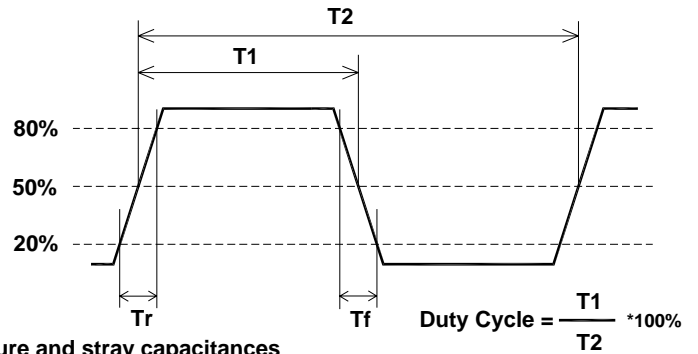
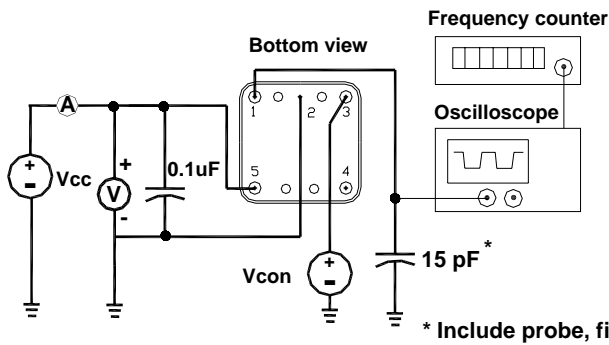
U.S.A.: TEL (1)-909-466-0427, FAX (1)-909-466-0762, e-mail: sales-us@mercury-crystal.com

**OCXO (Oven Controlled Crystal Oscillators) +5.0V; +12V**  
**OC11T Series HCMOS Square Wave**



**MERCURY**  
Since 1973

**OC11T Test Circuit**

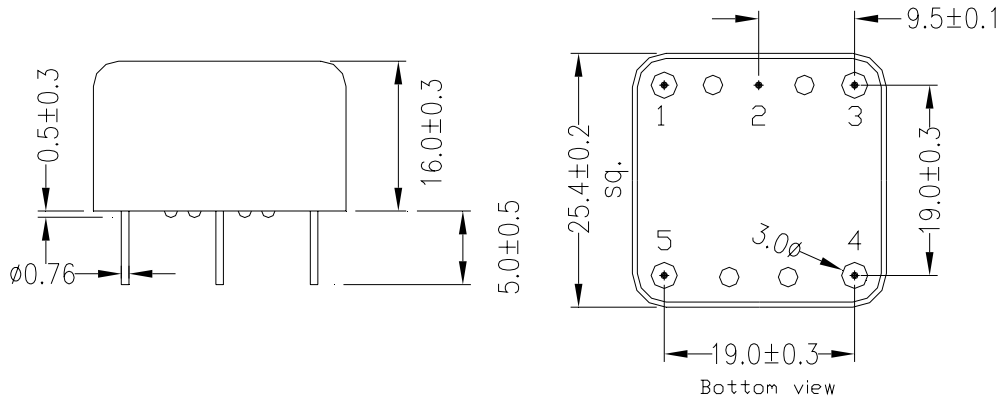


\* Include probe, fixture and stray capacitances

**OC11T Series Package Dimensions and Pin Connections:**

- Pin 1: RF Output
- Pin 2: Ground / Case
- Pin 3: Voltage Control (EFC)
- Pin 4: Reference Voltage Output
- Pin 5: Supply Voltage Input

unit mm  
Pin 3: Voltage Control (EFC)



**Part Number Format and Example:**

<b>Example:</b> OC11T5S-10.000-0.01/-20+70										
OC	11	T	5	S	—	10.000	—	0.01	/	-20+70
①	②	③	④	⑤	dash	⑥	dash	⑦	slash	⑧
<p>①: "OC" Product Prefix for OCXO      ②: Package type. "11" for OC11 package</p> <p>③: Output wave form code. "T" for HCMOS square wave output..</p> <p>④: Supply voltage code. "5" for +5.0V; "12" for +12.0V</p> <p>⑤: Crystal type. Use "A" for AT-cut crystal; Use "S" for SC-cut crystal.</p> <p>⑥: Frequency in MHz;      ⑦: Frequency stability in ppm;</p> <p>⑧: Operating temperature range: -20°C to +70°C in this case.</p>										