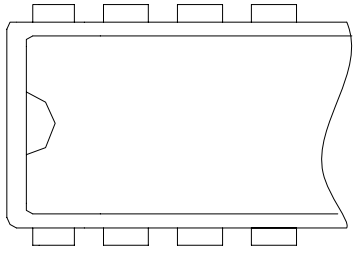
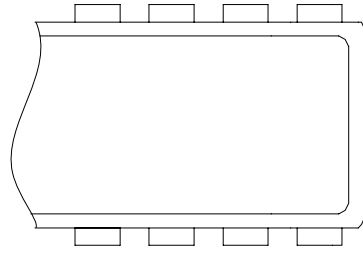


24



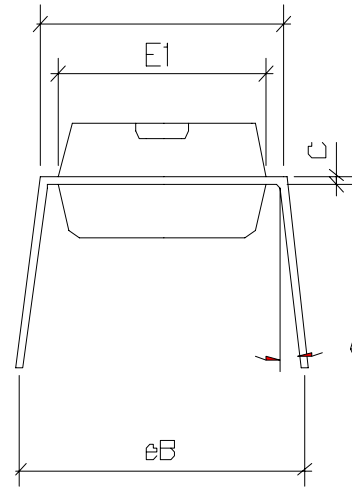
1

13

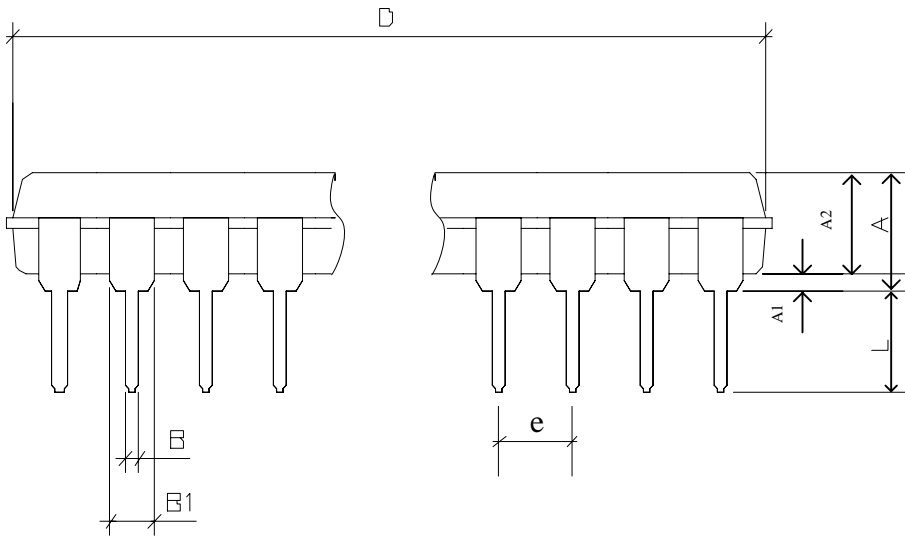



12

E



Symbol	Min	Normal	Max
A			5.588
A1	0.381		
A2	3.683	3.937	4.191
c	0.254(TYP)		
D	31.623	31.750	31.877
E1	13.700	13.900	14.100
E	14.986	15.240	15.494
eB	15.412	16.256	17.100
B	0.356	0.457	0.559
B1	1.270	1.524	1.651
L	2.921	3.302	3.810
e	2.540(TYP)		
θ	0		15



ELAN MICROELECTRONICS CORPORATION		TITLE: PDIP-24L 600MIL PACKAGE OUTLINE DIMENSION	
DWG NO: POD-007		File : D24	Edition: A
	Name	Date	
Draw	Steven_Tsai	90/01/18	
Check			
Approved			
			Unit : mm
			Scale: Free
			Material:
			Sheet: 1 of 1